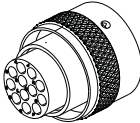
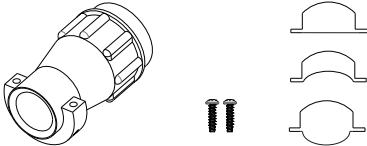
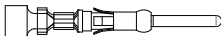
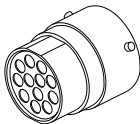
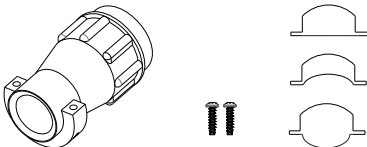



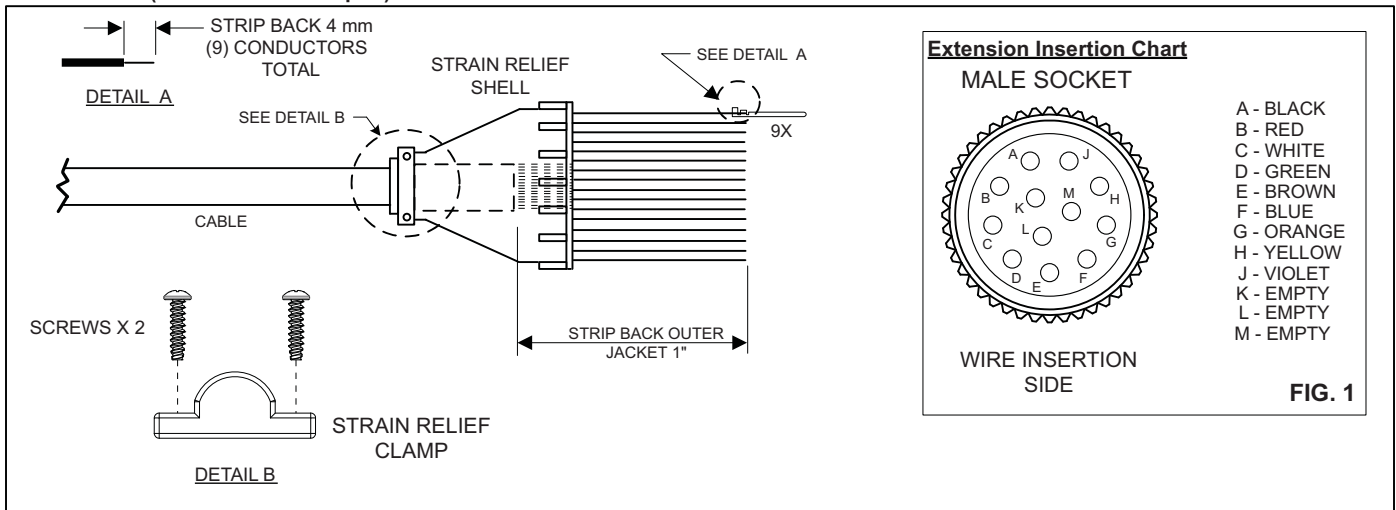
PRT-LXM400 X12-F425 MALE CONNECTOR ASSEMBLY

| QTY | PART | DESCRIPTION | PART NO. |
|-----|---|-----------------------------|----------|
| 1 |  | CT-AMPN-PLUG-PINS 12-IP69K | 1270464 |
| 1 |  | CT-ITT-RINGLOCK-CABLE-CLAMP | 1270411 |
| 12 |  | CT-ITT-PIN-20-22AWG-GOLD | 1270408 |

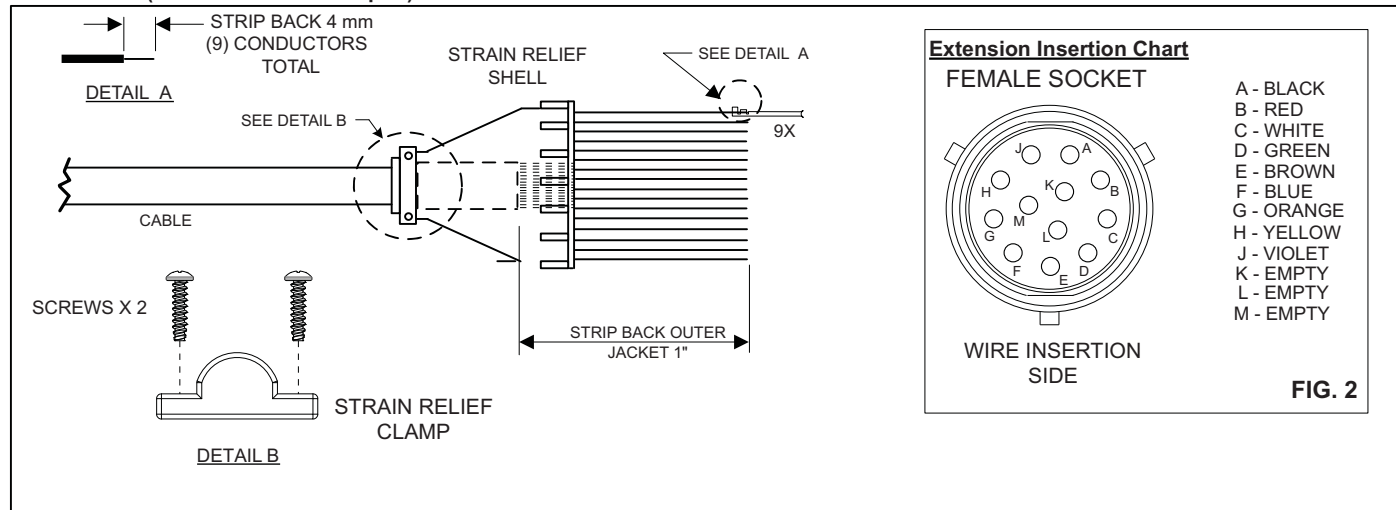
PRT-LXF400 X12-F425 FEMALE CONNECTOR ASSEMBLY

| QTY | PART | DESCRIPTION | PART NO. |
|-----|---|-----------------------------------|----------|
| 1 |  | CT-AMPN NO/FLANGE-SOCKET-12-IP69K | 1270465 |
| 1 |  | CT-ITT-RINGLOCK-CABLE-CLAMP | 1270411 |
| 12 |  | R/CT-ITT-SOCKET-20-22AWG-GOLD | 1270409 |

PRT-LXM400 (Male Extension Repair)



PRT-LXF400 (Female Extension Repair)



REPAIR INSTRUCTIONS:

- 1) CUT OFF DAMAGED CONNECTOR WITH WIRE SIDE CUTTERS AND STRIP BACK 1" (25.4mm) OF OUTER JACKET CABLE.
- 2) STRIP BACK INDIVIDUAL WIRES 4mm.
- 3) USE CRIMPING TOOL (KINO FLO PART # AMP-2) TO CRIMP PINS OR SOCKETS TO INDIVIDUAL WIRES.
- 4) PASS CRIMPED PINS OR SOCKETS THROUGH STRAIN RELIEF SHELL.
- 5) INSERT PINS OR SOCKETS INTO CONNECTOR FOLLOWING COLOR CODES ON **INSERTION CHART** (FIG. 1, FIG. 2).
- 6) SCREW STRAIN RELIEF SHELL TO CONNECTOR. USE THE 2 SCREWS TO HOLD DOWN THE STRAIN RELIEF CLAMP.