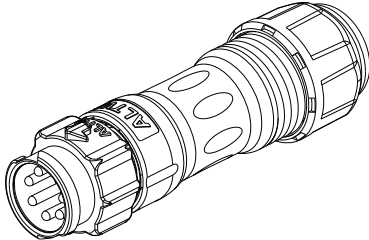


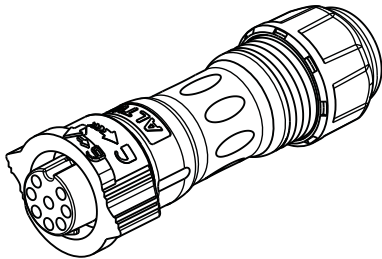


KINO FLO
Lighting Systems

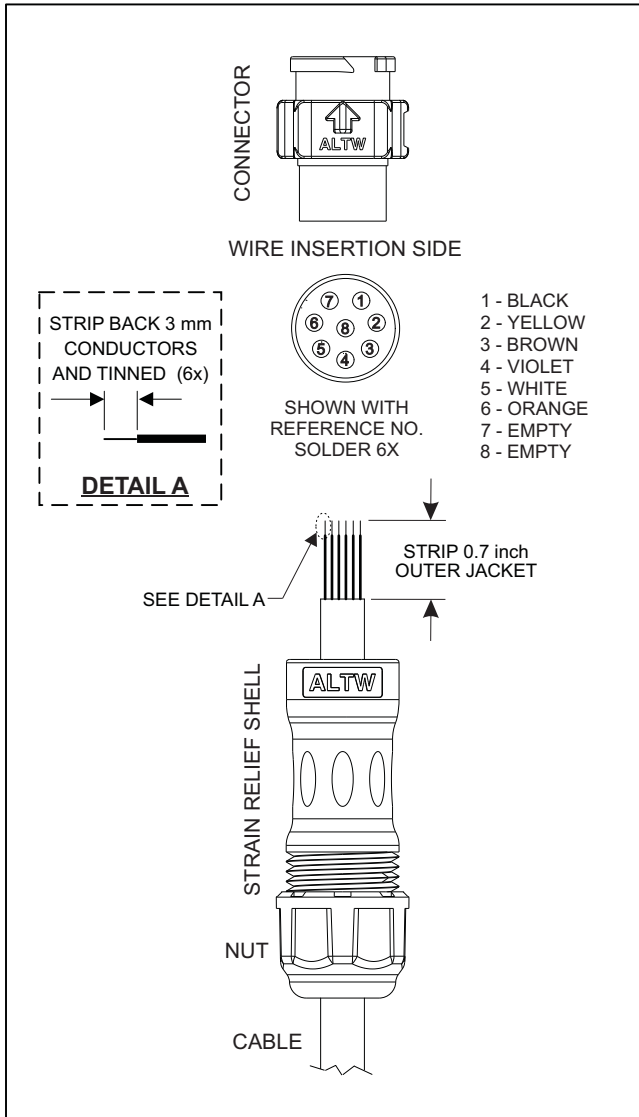
PRT-LXM100 X08-F125 MALE CONNECTOR ASSEMBLY

QTY	PART	DESCRIPTION	PART NO.
1		CT-MALE-8PIN-CLAMP RING-SEAL NUT	1270462

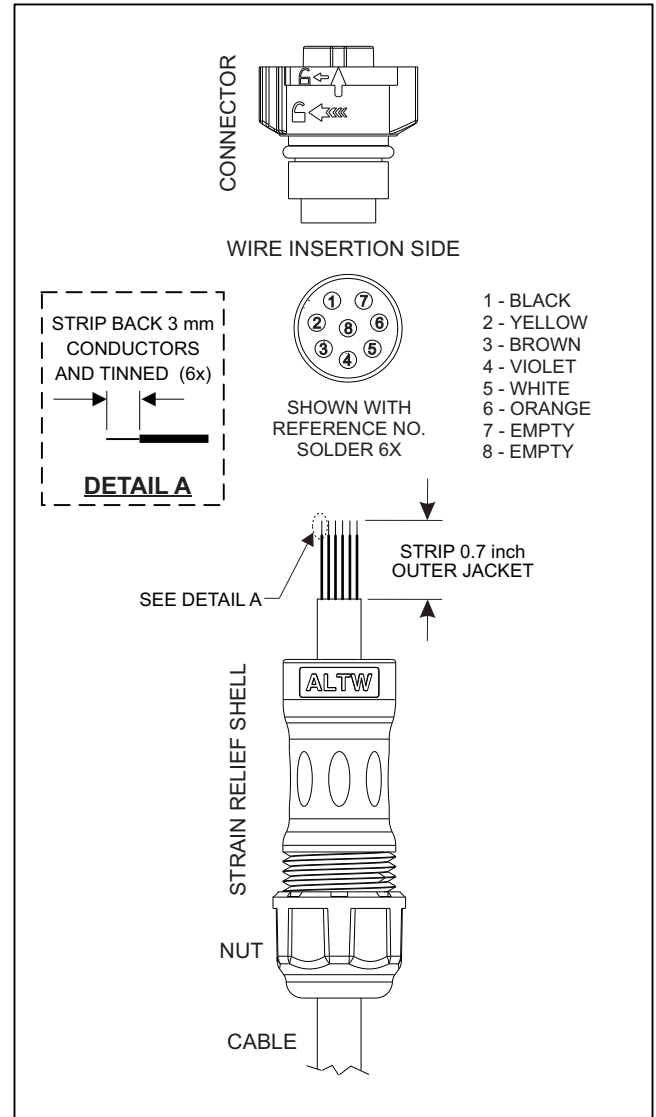
PRT-LXF100 X08-F125 FEMALE CONNECTOR ASSEMBLY

QTY	PART	DESCRIPTION	PART NO.
1		CT-FEMALE-8SOCK-CLAMP RING-SEAL NUT	1270461

PRT-LXM100 (Male Extension Repair)



PRT-LXF100 (Female Extension Repair)



REPAIR INSTRUCTIONS:

- 1) CUT OFF DAMAGED CONNECTOR WITH WIRE SIDE CUTTERS.
- 2) STRIP BACK 0.7 inch OF OUTER JACKET CABLE.
- 3) STRIP BACK INDIVIDUAL WIRES 3mm AND TINNED.
- 4) LOOSEN THE NUT AND INSERT CABLE ALL THE WAY THRU STRAIN RELIEF SHELL.
- 5) SOLDER WIRE INTO CONNECTOR FOLLOWING COLOR CODES.
- 6) SCREW STRAIN RELIEF SHELL TO CONNECTOR.
- 7) SCREW THE NUT TIGHTLY TO STRAIN RELIEF SHELL.