
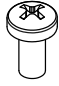


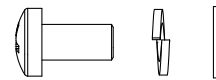
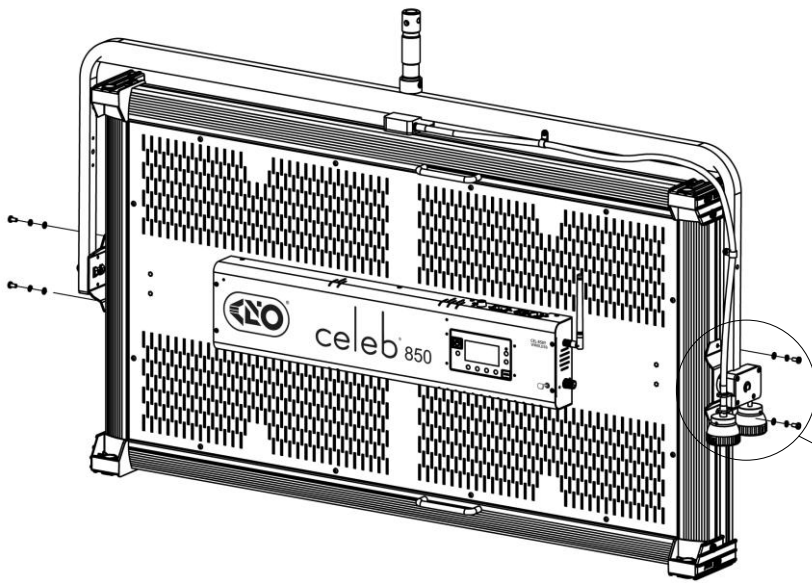




QTY	PART	DESCRIPTION	PART NO.
1		POLE-OP ASSEMBLY	7010060
4		M5 X 10mm SCREW PAN HEAD PHILLIPS	2020127
4		M5 LOCK WASHER	2030066
4		M5 FLAT WASHER	2030067



USE ONLY
10mm SCREWS

