
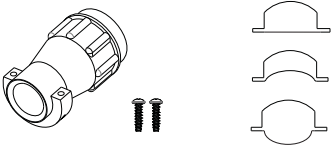

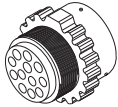
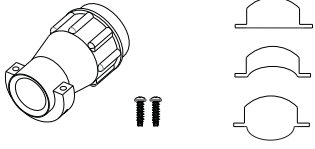
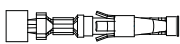




PRT-LXM12 SELECT LED MALE CONNECTOR ASSEMBLY

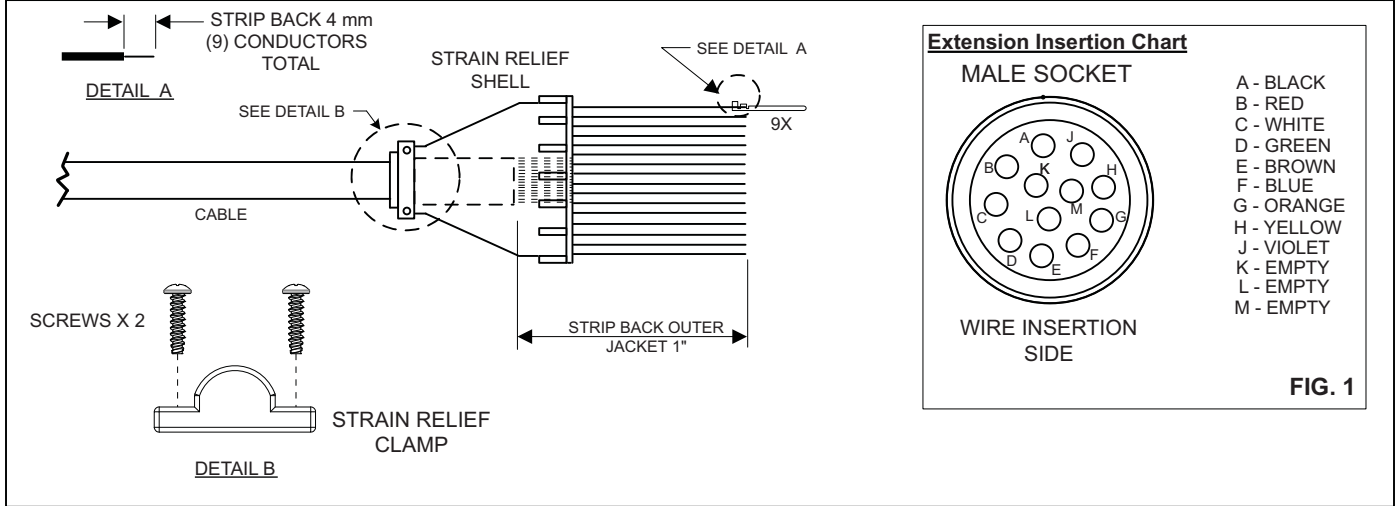
QTY	PART	DESCRIPTION	PART NO.
1		CT-ITT-PLUG/STD-PINS-12	1270406
1		CT-ITT-RINGLOCK-CABLE-CLAMP	1270411
12		CT-ITT-PIN-20-22AWG-GOLD	1270408

PRT-LXF12 SELECT LED FEMALE CONNECTOR ASSEMBLY

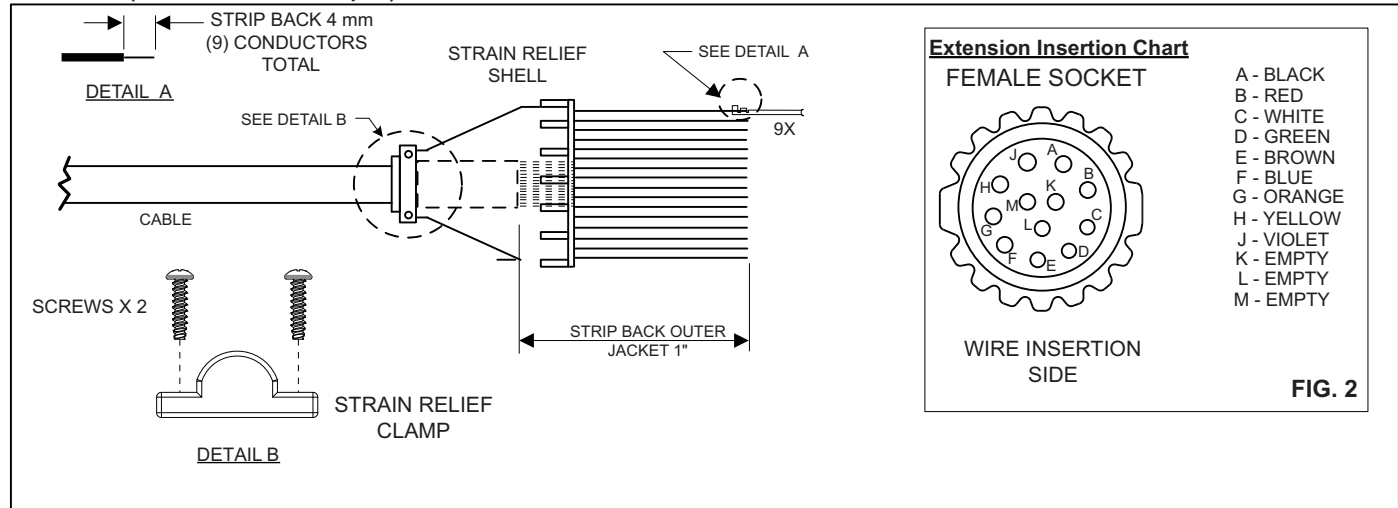
QTY	PART	DESCRIPTION	PART NO.
1		CT-UTG-RECP/FREE/STD-SOCKET-12	1270410
1		CT-ITT-RINGLOCK-CABLE-CLAMP	1270411
12		R/CT-ITT-SOCKET-20-22AWG-GOLD	1270409



PRT-LXM12 (Male Extension Repair)



PRT-LXF12 (Female Extension Repair)



REPAIR INSTRUCTIONS:

- 1) CUT OFF DAMAGED CONNECTOR WITH WIRE SIDE CUTTERS AND STRIP BACK 1" (25.4mm) OF OUTER JACKET CABLE.
- 2) STRIP BACK INDIVIDUAL WIRES 4mm.
- 3) USE CRIMPING TOOL (KINO FLO PART # AMP-2) TO CRIMP PINS OR SOCKETS TO INDIVIDUAL WIRES.
- 4) PASS CRIMPED PINS OR SOCKETS THROUGH STRAIN RELIEF SHELL.
- 5) INSERT PINS OR SOCKETS INTO CONNECTOR FOLLOWING COLOR CODES ON **INSERTION CHART** (FIG. 1, FIG. 2).
- 6) SCREW STRAIN RELIEF SHELL TO CONNECTOR. USE THE 2 SCREWS TO HOLD DOWN THE STRAIN RELIEF CLAMP.