

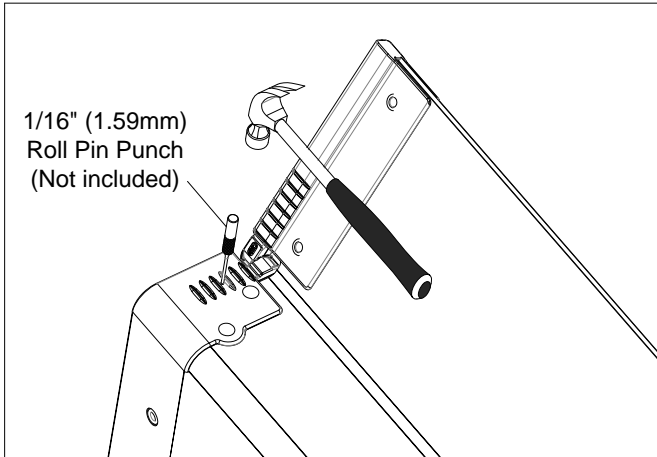


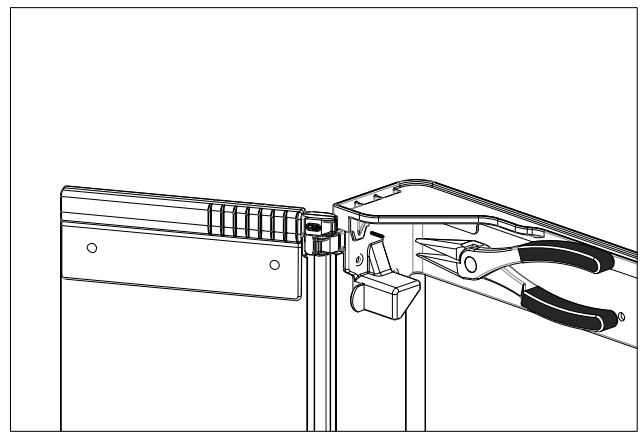


QTY	PART	DESCRIPTION	PART NO.
2		PIN SPRING SLOTTED .06 X .50	2150018
1		4BANK FIX TORQUE HINGE ASSEMBLY	5330003

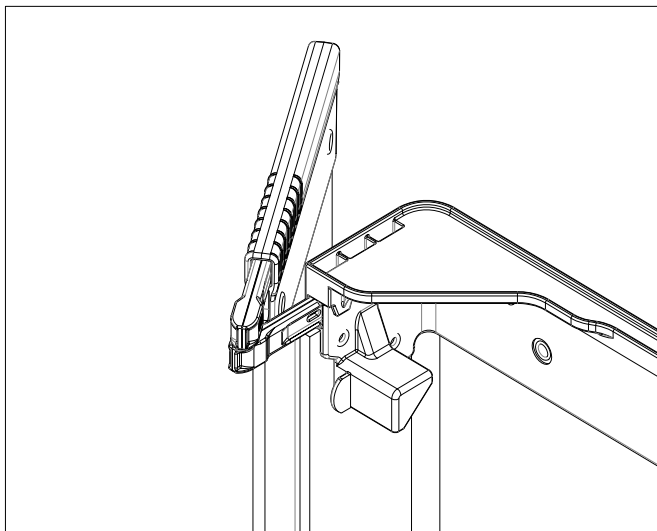
Hinge Removal



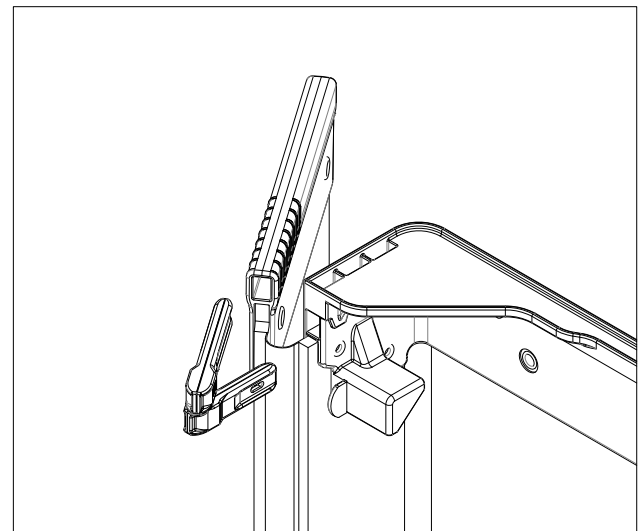
1) Locate pin, then use hammer and punch tool to push pin partially out.



2) Use pliers to remove pin.



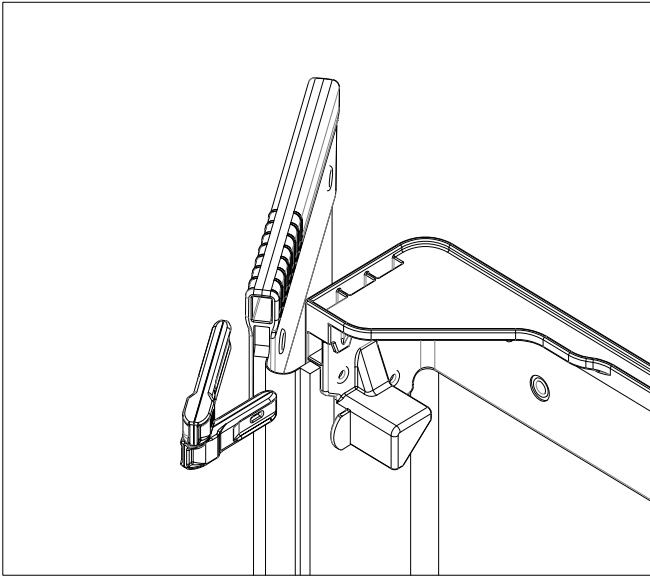
3) Bend barndoor backwards to slide hinge out.



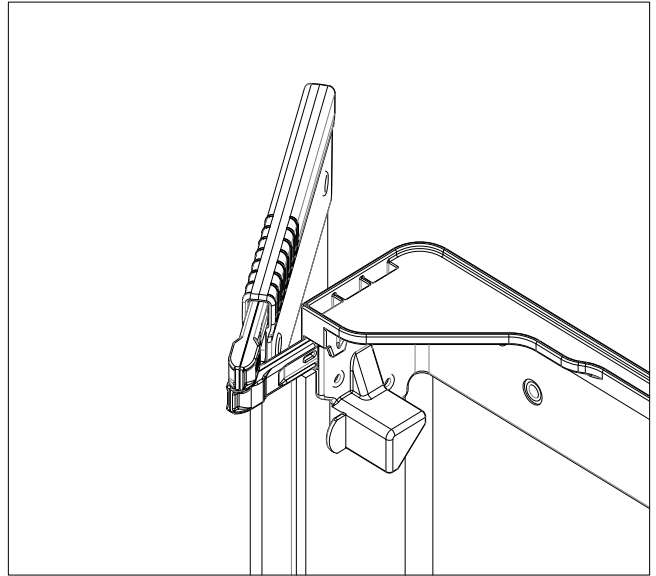
4) Remove damaged hinge.



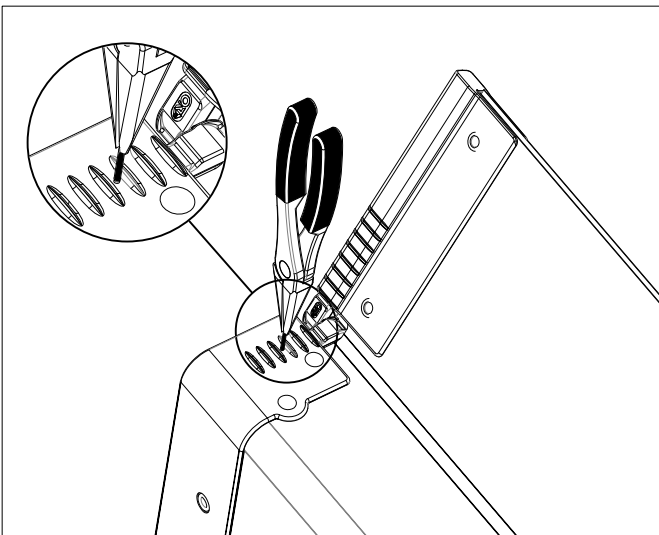
Hinge Installation



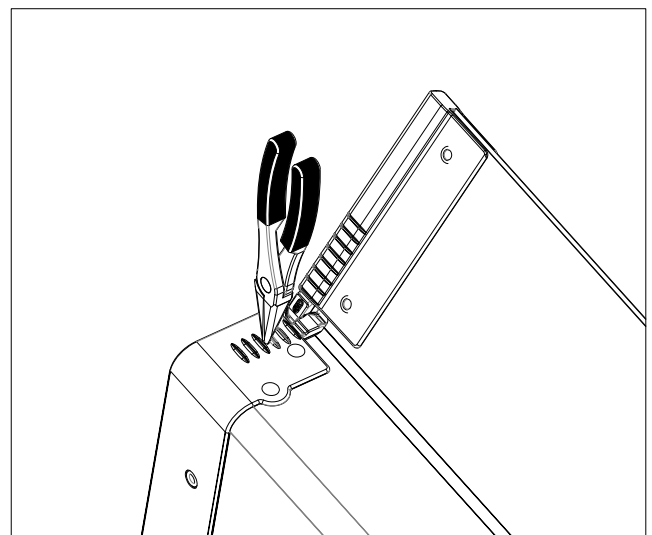
1) Align new hinge to match fixture openings. Insert long-end into bar door.



2) Insert hinge all the way in.



3) Holding pin with pliers, align with hole in hinge and insert pin.



4) Use pliers tip to push pin until flush with fixture.