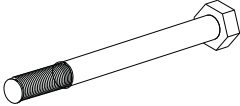

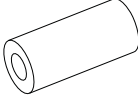
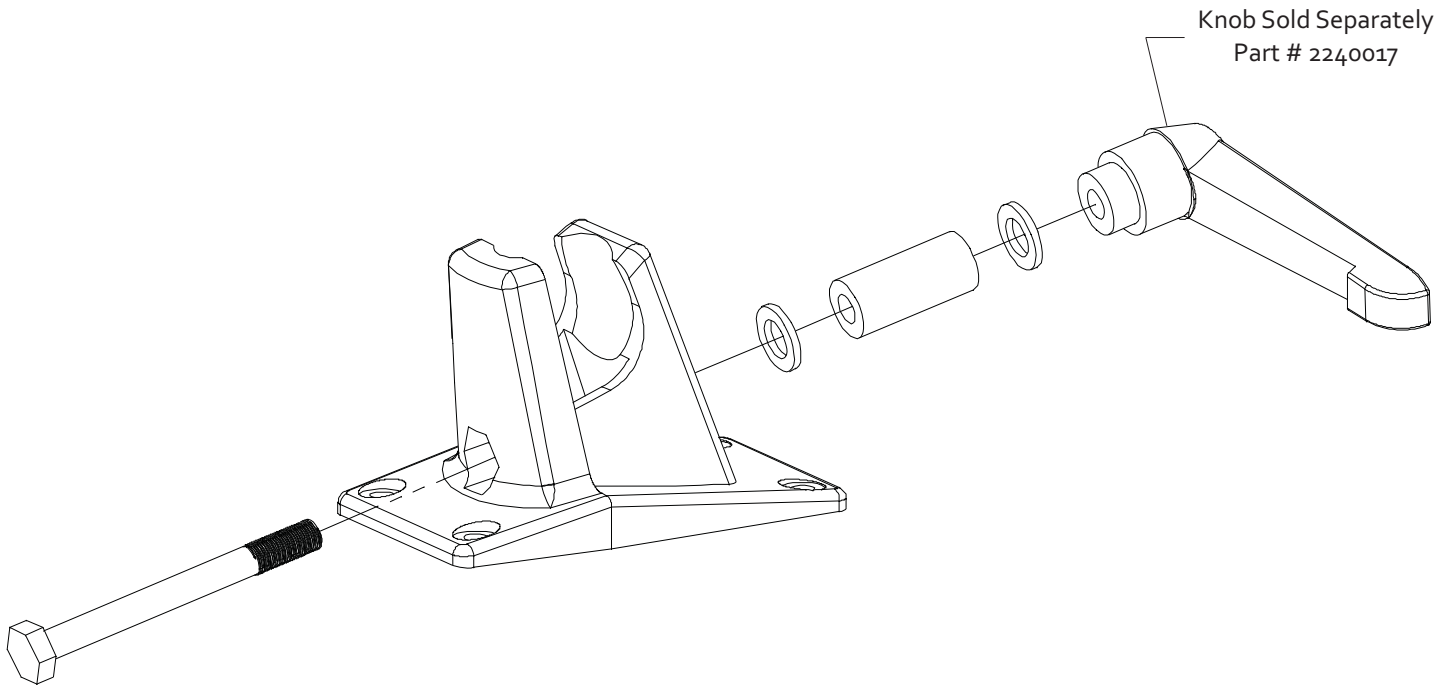


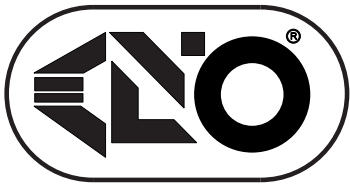
**KINO FLO**<sup>®</sup>  
LIGHTING SYSTEMS

**PRT-MD42**  
**Mount Hardware Replacement kit**

Used on: CEL-200, DIV-200/201, DIV-400/401, MTP-BL41/BL41S, MTP-KL41/KL41J, PAR-200/210, TEG-400/450

QTY.	PART	DESCRIPTION	PART NO.
1		BOLT HEX-HEAD STEEL 1/4-20 X 2.5"	2010013
2		WASHER FLAT	2030054
1		SPACER 27MM X 6MM	2050034

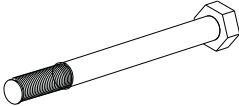

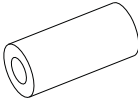




**KINO FLO**<sup>®</sup>  
LIGHTING SYSTEMS

**PRT-MD42**  
**Mount Hardware Replacement kit**

Used on: DIV-200-120, DIV-200-230, DIV-400-120, DIV-400-120U, DIV-400-230, DIV-400-230U, PAR-200-120, PAR-200-230, MTP-BL41, MTP-BL41S, MTP-KL41, MTP-KL41J

QTY.	PART	DESCRIPTION	PART NO.
1		BOLT HEX-HEAD STEEL 1/4-20 X 2.5"	2010013
2		WASHER FLAT	2030054
1		SPACER 27MM X 6MM	2050034

