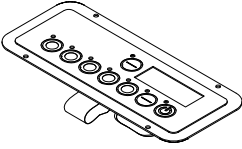


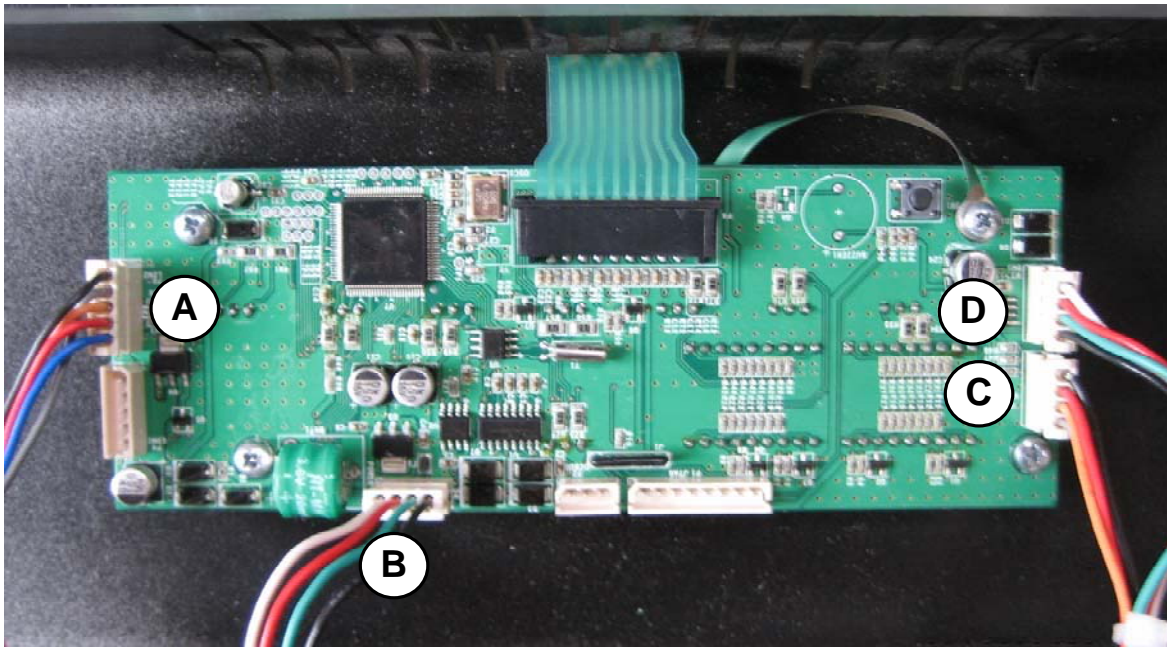
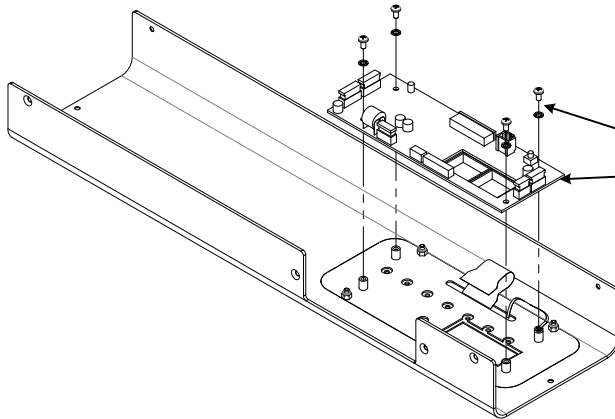




QTY	PART	DESCRIPTION	PART NO.
1		CELEB NON-DMX MEMBRANE ASSEMBLY	6400042
4		NUT M3 NYLOCK	2000027
1		WASHER LOCK TOOTH M3 INT SS	2030052

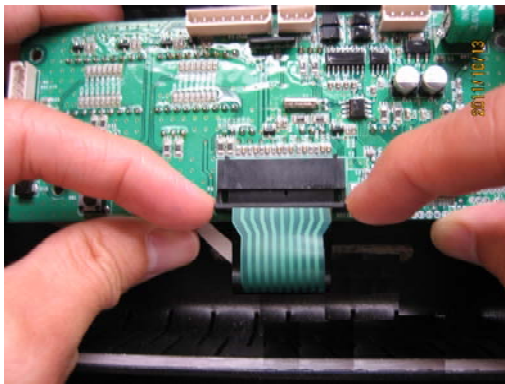


Unplug harnesses A, B, C, and D

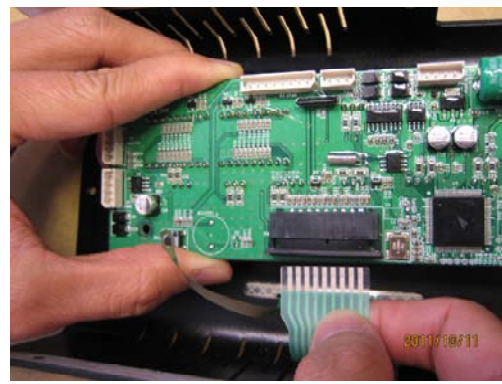


Remove pan head screws and washers from control interface (Pic 1). Unlock flex cable connector (Pic 2) and remove cable (Pic 3). Then lift and remove control interface board.

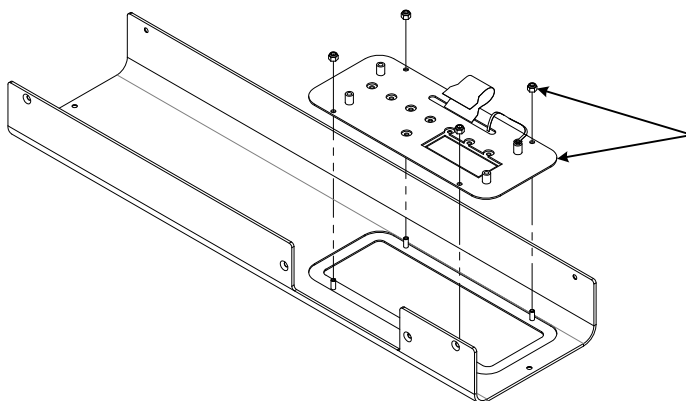
Pic 1



Pic 2

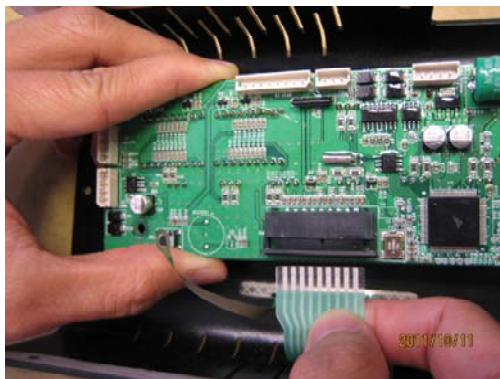
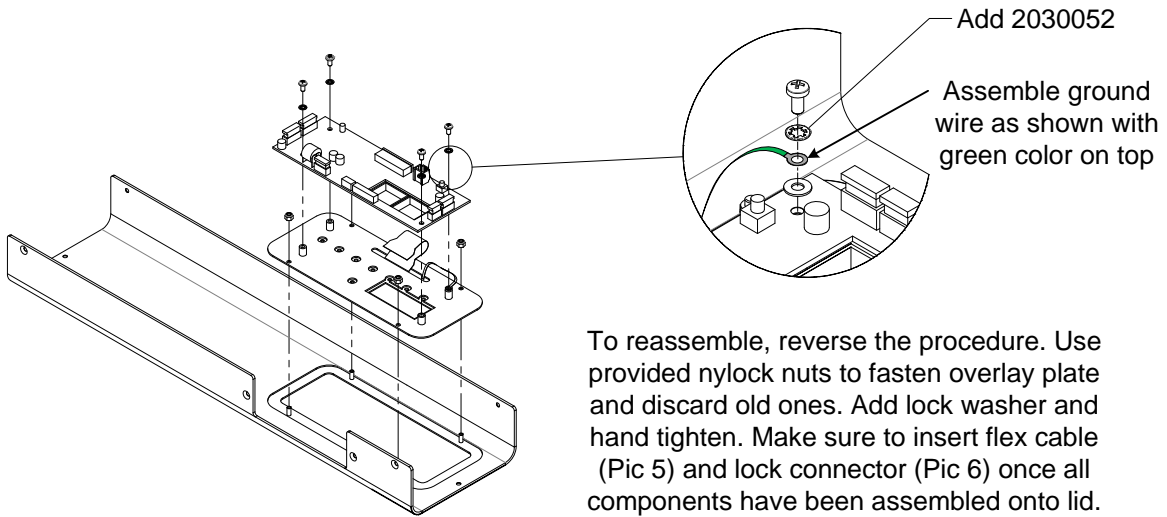


Pic 3

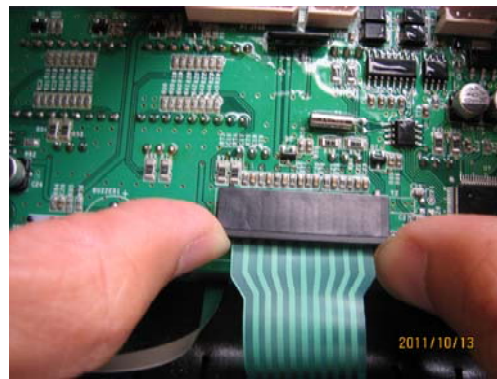


Once control interface is off, remove lock nuts. Then remove existing overlay plate with membrane. Replace with new assembly (Pic 4).

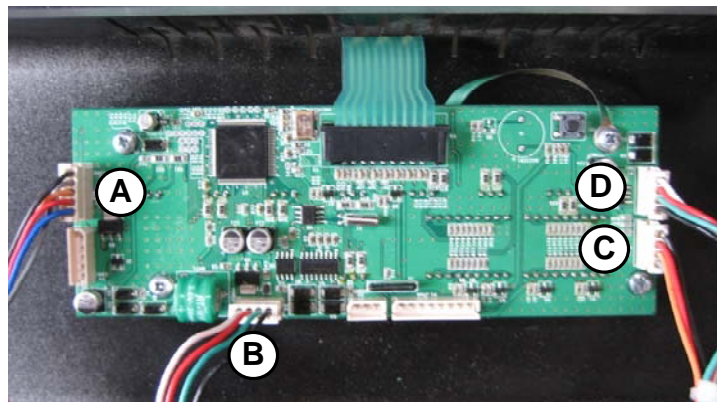
Pic 4



Pic 5



Pic 6



Insert blue-red-orange-gray-black wired harness into connector **A**
 Insert white-red-green-black wired harness into connector **B**
 Insert gray-orange-red-black wired harness into connector **C**
 Insert white-red-green-black wired harness into connector **D**