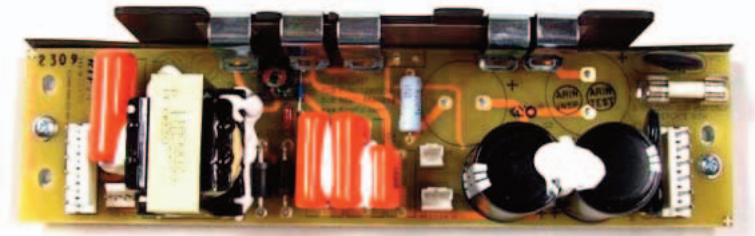

VG3R Ballast Board

(Part # 6800056)



(Side View)

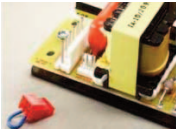


(Front View)

The **VG3R** ballast board replaces all VG series ballast boards. The **VG3R** is to be used as a replacement ballast board for Single, Double, 4Bank, Image and Wall-O-Lite series products. For latest warranty information, see Kino Flo website at www.kinoflo.com.



Shorting Plug



6350006

HO/Std shorting plug, part # 6350006, (sold separately), must be used on non-HO/Std products (DMX or Non-DMX) for proper ballast operation. In most cases, the shorting plug may be removed from the ballast card that is being replaced.



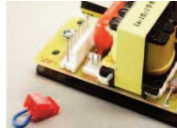
6350014

Shorting plug, part # 6350014 (included) is used on all Non-DMX products.

Using VG3R with or without Shorting Plugs

Use shorting plug # 6350006 (purchased separately or re-use from replaced board) and **Remove** shorting plug # 6350014 with the following non-HO/Std products:

CFX-W48-X120, CFX-W48-X230
IMG-20X-120, IMG-20X-230
IMG-40X-120, IMG-40X-230
IMG-80X-120, IMG-80X-230



Use shorting plug # 6350014 (included with VG3R) with the following Non-DMX products:

BAL-105-S120, BAL-100-F230
BAL-210-S120, BAL-210-F230
BAL-410-S120, BAL-410-F230



Remove shorting plug # 6350014 for the following DMX products:

BAL-450-120, BAL-450-230
IMG-45X-120, IMG-45X-230
IMG-85X-120, IMG-85X-230

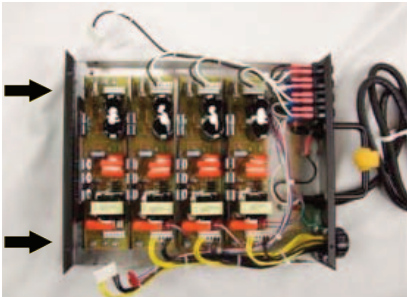


Ballast Board Removal

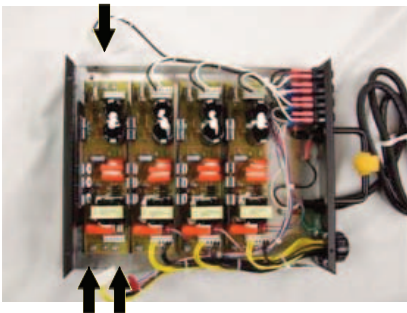
4Bank Ballast (BAL-410-S120) is shown for illustration purposes.



1) Remove ten (10) cover screws.

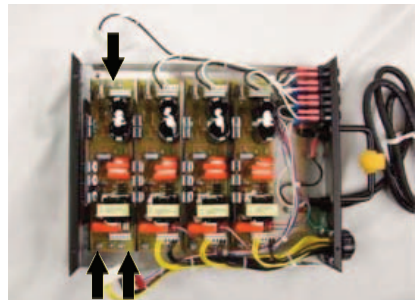


2) Remove AC input and output connector and HO/Std connector.

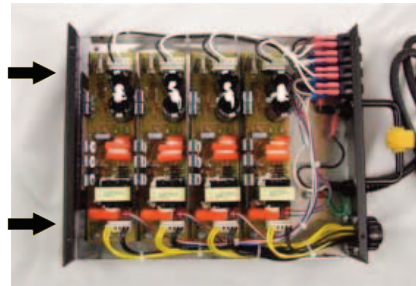


3) Remove three (3) nuts on each board.

Ballast Board Installation



4) Install new ballast board and three (3) nuts.



5) Install AC input and output connector and HO/Std connector.



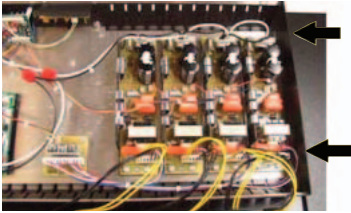
6) Install ten (10) cover screws.

Ballast Board Removal

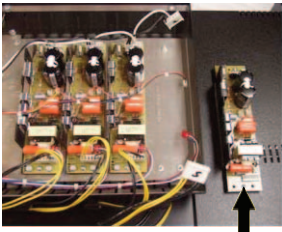
Image 85 DMX (IMG-85X-120) is shown for illustration purposes.



1) Remove ten (10) cover screws.

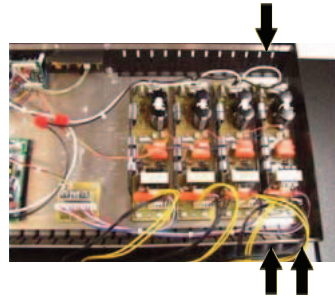


2) Remove AC input, output, remote and HO/Std connector and three (3) nuts.

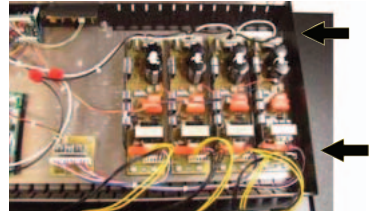


3) Remove ballast board.

Ballast Board Installation



4) Install new ballast board and three (3) nuts.



5) Install AC input, output, remote and HO/Std connector.



6) Install ten (10) cover screws.

Environmental: Disposal of Old Electrical & Electronic Equipment.



This symbol on the product or on its packaging indicates that this product shall not be treated as household waste. This product is made of recyclable materials and should be disposed of in accordance with local and state regulations