
Operation Manual

Kamio®

KAM6E



Kamio 6E Kit (On-Camera/ENG)

The **Kamio 6E** is a ring-light that clips to the lens of film or video cameras. It is powered by an on-board 12-24VDC dimming ballast (**BAL-149X**). Main application is for front-fill beauty light for ENG stand-up interviews.



KIT-KAM6E

Kamio 6E Kit, (On-Camera/ENG)

Kit Contents:

- 1 Kamio 6E Ring-Light (112mm)
w/ 3ft Harness
- 1 Kamio 12VDC On-Camera Ballast
- 1 Ballast Mount
- 1 Baby Shoe Mount
- 1 Travel Case

Dimensions:

21 x 7.5 x 17"
(53.5 x 19 x 43cm)

Weight:

10 lb
(4.5kg)

Kamio 6E System (On-Camera/ENG)



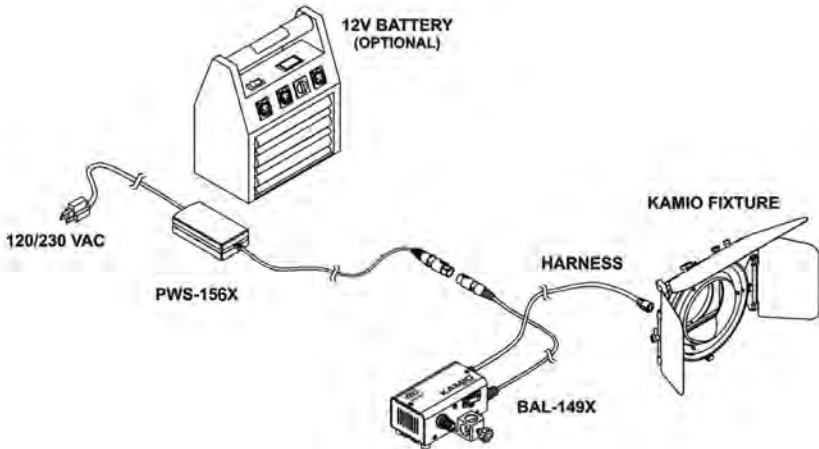
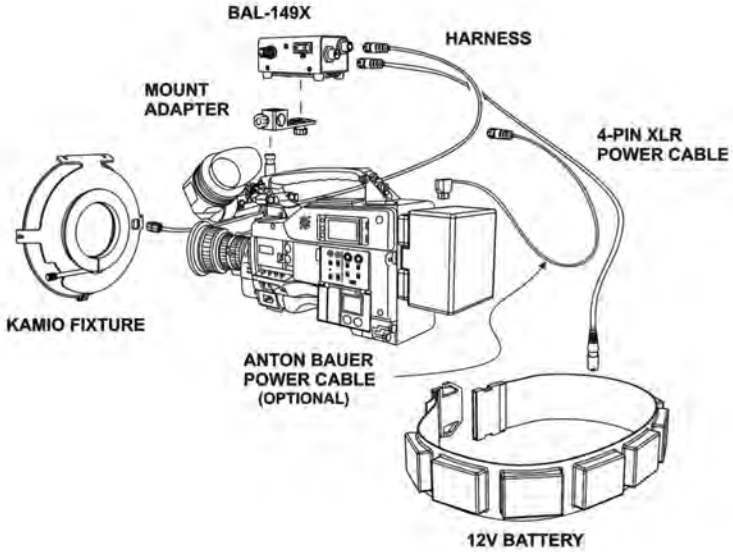
SYS-KAM6E

Kamio 6E System, (On-Camera/ENG)

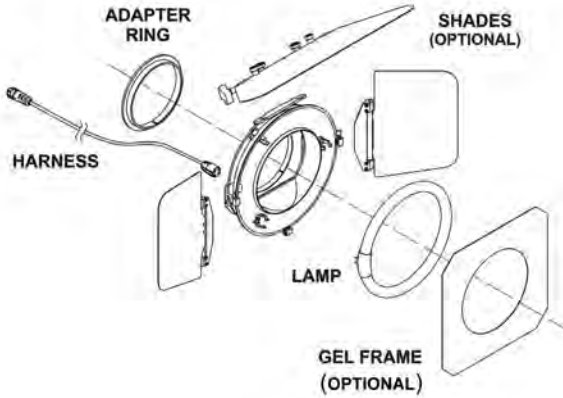
System Contents:

- 1 Kamio 6E Ring-Light (112mm)
w/ 3ft Harness
- 1 Kamio 12VDC On-Camera Ballast
- 1 Ballast Mount
- 1 Baby Shoe Mount

Kamio Assembly



Kamio Detail



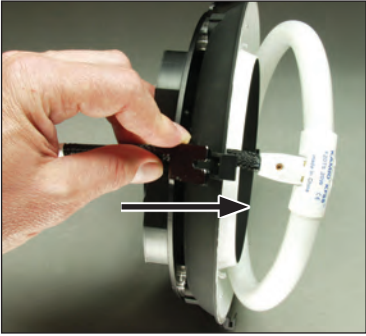
Mounting Kamio to Lens

The **Kamio 6E** Ring-Light is designed to mount directly onto the camera lens. An expandable clamping ring is designed to fit lenses with an outside diameter of 112mm (e.g. Panavision Primo Primes). Turn the locking screw to clamp down on the lens. Lens adapter rings are available to accommodate various smaller lens diameters. (See “Accessories” for details.)



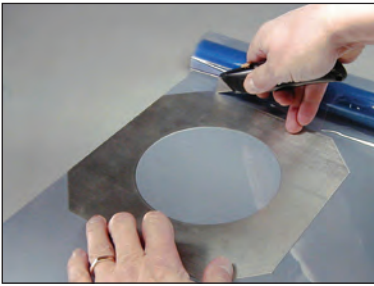
Note: The Kamio is only recommended for fixed barrel lenses. Fixed barrel lenses are designed to support the weight of the Kamio and keep the fixture properly oriented.

Changing Lamps



Extract the lamp by pushing the lamp harness through the reflector. The lamp will clear the reflector making it easier to grasp.

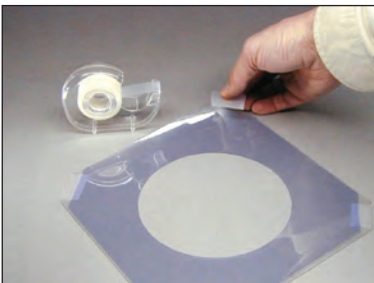
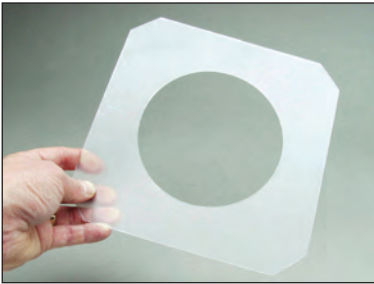
Applying Gel Filters



IMPORTANT:

Prior to using the filter frame, remove translucent protective plastic coating from both sides.

Use the steel gel template to cut a filter to the correct size. The filter is then taped to the transparent filter frame.



Ballast Operation

Warning! To Ensure Proper Operation

ALWAYS TURN **OFF** THE BALLAST BEFORE connecting or disconnecting lamps, harnesses or head extension cables. Maximum distance is 30ft (2 x 15ft cables).

Ballast Operation

The Kamio Ballast (**BAL-149X**) operates remote from the fixture. Connect the Kamio lamp harness to the extension cable or the Ballast, making sure to rotate the locking ring until it clicks into the locked position. After the lamps are properly installed, the Ballast can be turned on. Avoid operating in temperatures above 125°F (51°C).

(Note: The dimmer should be full up when striking the lamp. Once the lamp has come up to full temperature, in 3-5 minutes, then dim to the desired light level.)

It is normal for the lamp to take 1-2 seconds to ignite. In cold temperatures the Ballast may take longer to ignite the lamp. If it does not ignite within 5 seconds, switch the ballast to OFF and try again. If the lamp does not strike after 2 or 3 attempts, turn Ballast off, check that the harness or any extension connections are secure and restrike.

CAUTION: For AC operation use the PWS-156X universal power supply. Do not operate Camera and Kamio with a Camera Battery Charger. The combined load exceeds the Charger's capacity and will result in the Charger failing.

Ballast Controls

END VIEW



A

B

SIDE VIEW



C

D

E

- A) **Power Input:** Connects to 12VDC power cable (4-Pin xlr) or 24VDC cable (3-Pin xlr).
- B) **Lamp Output:** Connects to lamp Harness cable.
- C) **Dimmer Control:** Adjusts light level of the Lamp.
- D) **Trim:** Adjusts the bottom end of the dimming curve.
- E) **Power Switch:** On/off power switch. Indicator lights up green when power is applied.

Mounting Ballast



Mounting Bracket, **MTP-141**, is required to mount the ballast to a baby pin. Loosen thumbscrew on the **MTP-141** sufficiently to allow the flange to insert into the track on the underside of the ballast.



Baby Shoe Adapter, **MTP-141S**, is used to mount the Ballast to a camera equipped with a hot shoe receptacle. Slide the flange of the **MTP-141S** into the hot shoe receptacle on the camera. Lock the pin by screwing down the thumbscrew.



An optional Baby Mount w/ 1/4" Screw (**MTP-141P**) is used to mount the Kamio Ballast to cameras equipped with a 1/4" screw hole instead of a hot shoe. Another mount option is the Ballast Clamp with Baby Pin (**MTP-141C**). Both can be used with the **MTP-141**.



Mount the **BAL-149X** to the baby pin as shown.

Lamps and Adapter Rings



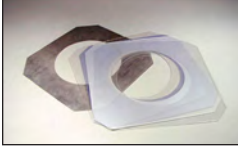
06C-K32 6" Kino KF32
06C-K55 6" Kino KF55



KAM58/85 58-85mm Threaded ring adapter
KAM72/85 72-85mm Threaded ring adapter
KAM80 80mm / Fits Zeiss Super Speed Lenses
 Canon 16X Mechanical Zoom
KAM82 82mm / Fits Fuji 16x5.5/13x5.5/.8x Converter
KAM84 84mm / Fits Panavision Digital Primes
KAM85 85mm / Fits many Canon & Fujinon Zooms
KAM86 86mm Lens Adapter
KAM87 87mm / Fits Zeiss T3 10:1 Zoom
KAM89 89mm / Fits Canon XL1, 16X Auto Zoom
 and 3X Auto Zoom
KAM93 93mm Lens Adapter
KAM94 94mm / Fits Canon XL2
 20 x 5.4 – 108mm Zoom
KAM95 95mm / Fits Zeiss Ultra & Canon Zooms
KAM97 97mm Lens Adapter
KAM98 98mm Lens Adapter
KAM100 100mm / Fits Fujinon 17 (8-160mm Zoom)
KAM102 102mm / Fits Panavision Digital Zooms,
 25-112mm SDZT, 6-27mm SDZW
KAM104 104mm / Fits Arri Digital Primes,
 Angenieux 14x8
KAM110 110mm / Fits Cooke Primes

Note: 112mm clamp ring permanently fixed to Kamio fixture. Fits Panavision® Primo Primes.

Kit Components and Accessories



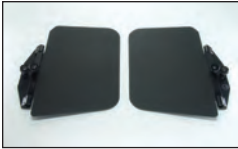
GFR-KAM6 Kamio Gel Frame
GFR-KAM6T Kamio Gel Frame Template



HAR-KAM6 Kamio Lamp Harness, 3ft



KAM6L Kamio 6 Barndoor, Long



KAM6S Kamio 6 Barndoor, Short (2pk)



MTP-141 Kamio Ballast Mount (16mm)



MTP-141C Kamio Ballast Clamp w/ Baby Pin (16mm)



MTP-141P Kamio Ballast Baby Mount w/ 1/4" Screw (16mm)



MTP-141S Kamio Ballast Baby Shoe Mount (16mm)



PWC-141A Kamio to Anton Bauer Battery Adapter, 3ft

Caution: For AC operation of Camera and Kamio, do not use Battery Charger. The combined load exceeds the Charger's capacity. Use Kino Flo's AC Power Supply **PWS-156X** for AC operation of Kamio Only.



PWC-141X Kamio to 4-Pin xlr, 8ft



PWS-156X 6.6 Amp Universal VAC Power Supply w/ 4-Pin xlr (Edison and European IEC power cords included)



X04-K15 Kamio Head Extension Cable, 15ft

Cases



KAS-KAM6-C Kamio 6 Basic Travel Case

Ballast Specifications



BAL-149X

BAL-149X

Kamio Ballast, 12-24VDC w/ 4-Pin xlr

Input Voltage: 12-24VDC

Power Rating: 12VDC = 30 Watts @ 2.5 amps
15VDC = 30 Watts @ 2.0 amps
24VDC = 31 Watts @ 1.3 amps

Switching: On/Off

Output Frequency: 25 kHz

Size: 4.7 x 2.5 x 2"
(11.9 x 6.4 x 5.1cm)

Weight: 1.0 lb (0.4kg)

Weight w/ Mount: 1.2 lb (0.5kg)

Ballast Specifications



KAM6E

KAM6E

Kamio 6E (On-Camera/ENG)

Fixture Dimensions: 10 x 9 x 2"
(25.5 x 23 x 5cm)

Opening: 112mm

Mount Type: Clip onto lens

Weight w Lamp: 1.0 lb (0.5kg)

**Weight w/ Lamp
and Barndoors:** 2.07 lb (0.94kg)

For latest Warranty information and Certifications,
see Kino Flo website at www.kinoflo.com.

Environmental: Disposal of Old Electrical & Electronic Equipment.



This symbol on the product or on its packaging indicates that this product shall not be treated as household waste. This product is made of recyclable materials and should be disposed of in accordance with local and state regulations.

Kino Flo, Inc. 2840 N. Hollywood Way, Burbank, CA 91505, USA
Tel: 818 767-6528 website: www.kinoflo.com